

Planetary Mixers

Planetary Mixer, 8 lt. - Electronic with Hub

ITEM # _____

MODEL # _____

NAME # _____

SIS # _____

AIA # _____


600196 (BE8BYA)

8 lt Planetary Mixer, bowl detection device, electronic speed variation. Equipped with stainless steel spiral hook, paddle, whisk and K type accessory hub. Equipped with highly resistant safety screen - BPA free

Short Form Specification

Item No.

Suitable for all kneading, blending and whipping operations. Aluminium body and metal base for complete stability. 8 litre capacity 18/10 (AISI 304) stainless steel bowl. Powerful asynchronous motor with electronic speed variation from 20 to 220 rpm (planetary movement). Removable and dismantled solid safety screen - made of a bisphenol-A free (BPA) copolyester - activates the raising and lowering of the bowl. Bowl detection device allows the mixer to switch on only when the bowl and the safety screen are properly installed and positioned together. Supplied with 3 stainless steel dw safe tools: spiral hook, paddle and whisk. Equipped with accessory drive hub type K (accessories are not included).

Main Features

- Professional compact table top beater mixer for intensive kneading, mixing and whipping.
- Maximum capacity 2.5 kg flour, with 60% of hydration.
- Delivered with: Spiral Hook, Paddle, Wire Whisk and Mixing Bowl for 8 lt. All made in stainless steel and dishwasher safe.
- Tools shape and size perfectly adapt to the bowl for uniform mixing of even small quantities.
- Electronic speed variator.
- Safety device will automatically stop the machine when the bowl is lowered.
- Ergonomic and reliable knob to select the speed adjusting to the tool and mixture hardness.
- Removable safety screen activates the raising and lowering of the bowl.
- Bowl detection device allows the mixer to switch on only when the bowl and the solid safety screen are properly installed and positioned together.

Construction

- 304 AISI stainless steel 2 handles bowl - 8 lt. capacity.
- Compact and portable design.
- Asynchronous motor with high start-up torque.
- Variable speed from 20 to 220 rpm (planetary movement), to adjust to the selected tool and mixture hardness.
- Planetary movement based on self lubricating gears, eliminating any risk of leaks.
- Water protected planetary system (IP55 electrical controls, IP34 overall machine).
- Transparent solid safety screen made of Eastman Tritan™ copolyester BPA free, impact resistant and stays clear and durable after several dishwashing cycle. Eastman&Tritan are trademarks for Eastman Chemical Company.
- Variable speed rotation of the tools from 67 rpm to 740 rpm.
- Sturdy metal accessory hub able to withstand heavy usage.

APPROVAL: _____

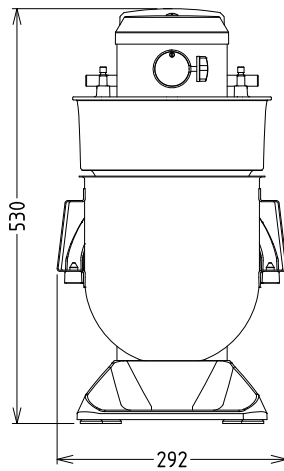
Included Accessories

- 1 of Stainless steel bowl 8 lt PNC 653766
- 1 of Stainless steel spiral hook 8 lt PNC 653767
- 1 of Stainless steel paddle 8 lt PNC 653768
- 1 of Stainless steel whisk 8 lt PNC 653769

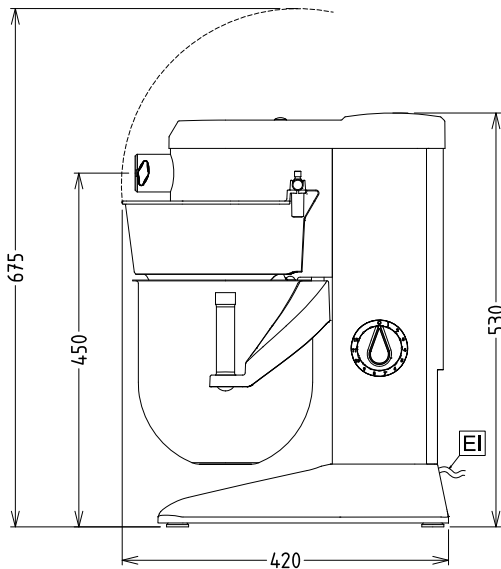
Optional Accessories

- 60 mm meatmincer for attachment type K (12 mm square hub) and 1 disc PNC 653043
- 3 discs (3-4,5-8 mm) for meatmincer PNC 653044
- Pasta kit accessory (lasagne 142,5 mm) PNC 653296
- Pasta kit accessory (spaghetti 2 mm) PNC 653298
- Pasta kit (lasagne, tagliatelle, tagliolini) PNC 653300
- Stainless steel bowl 8 lt PNC 653766
- Stainless steel spiral hook 8 lt PNC 653767
- Stainless steel paddle 8 lt PNC 653768
- Stainless steel whisk 8 lt PNC 653769
- Closed splash guard for BE5/8 with accessory hub PNC 653782

Front

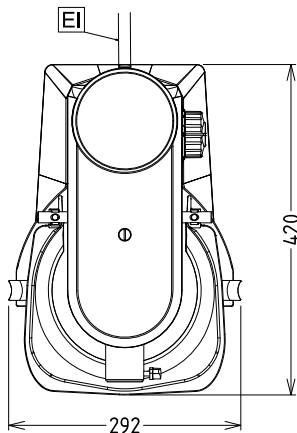


Side



EI = Electrical inlet (power)

Top



Electric

Supply voltage:

600196 (BE8BYA) 200-240 V/1N ph/50/60 Hz

Electrical power max.:

0.6 kW

Capacity:

Performance (up to):

2.5 litres/Cycle

Capacity:

8 litres

Key Information:

External dimensions, Width: 292 mm

External dimensions, Depth: 416 mm

External dimensions, Height: 527 mm

Shipping weight: 21 kg

Net weight (kg): 19

Cold water paste: 2.5 kg with Spiral hook

Egg whites: 14 with Whisk